

# 射频线缆&连接器

RF cable & connector

数据手册

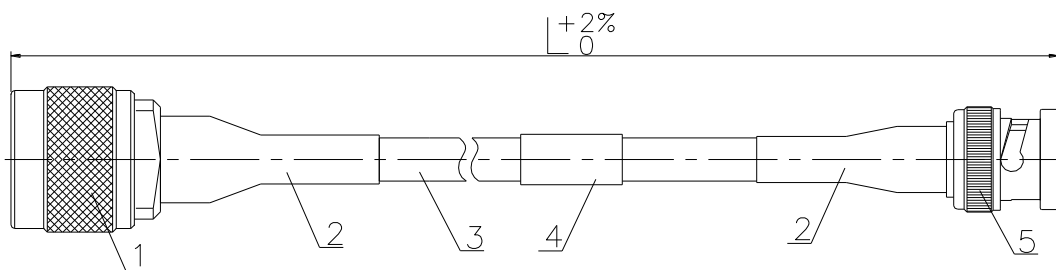
---



## 射频线缆及连接器总览

型号	接口类型	频率范围	长度(mm)	电压驻波比	射频插入损耗
N-BNC-2L	N(M)-BNC(M)	DC ~ 2GHz	700	≤1.20@DC~2GHz	≤1.0dB@2GHz
N-N-6L	N(M)-N(M)	DC~6GHz	700	≤1.25:1@6GHz	≤1.8dB@6GHz
N-SMA-6L	N(M)-SMA(M)	DC~6GHz	700	≤1.25:1@6GHz	≤1.8dB@6GHz
N-N-18L	N(M)-N(M)	DC~18GHz	1000	≤1.35 to 18 GHz	≤2.3dB, DC~18GHz
N-SMA-18L	N(M)-SMA(M)	DC~18GHz	1000	≤1.35 to 18 GHz	≤2.3dB, DC~18GHz
SMA-SMA-18L	SMA(M)-SMA(M)	DC~18GHz	1000	≤1.25 to 18 GHz	≤2.3dB, DC~18GHz
SMA-SMA-26L	SMA(M)-SMA(M)	DC~26.5GHz	1000	≤1.3 to 26.5 GHz	≤2.0dB, DC~26.5GHz
SMAF-SMA-26L	SMA(M)-SMA(F)	DC~26.5GHz	1000	≤1.3 to 26.5 GHz	1.6dB, DC~18GHz; 2.0dB, 18~26.5GHz
V26-N35MN35F-25IN	NMD 3.5mm(M)-(F)	DC~26.5GHz	635	≤1.25 to 26.5 GHz	
V26-N35FA35F-25IN	NMD 3.5mm(F)- APC 3.5mm (F)	DC~26.5GHz	635	≤1.25 to 26.5 GHz	
2.92F-2.92F-40A	2.92mm(F)- 2.92mm(F)	DC~40GHz	转接头	1.25	0.3dB
UkitSSA3X	N(M)-SMA(M)	DC~6GHz	700	1.25	
	N(M)-N(M)	DC~6GHz	700	1.25	
	2 * N(M)-BNC(F)	DC-2 GHz	适配器	1.2	
	2 * N(M)-SMA(F)	DC-6 GHz	适配器	1.2	
	N-N 10 dB 衰减器	DC-6 GHz	衰减器	1.2	

<b>Model</b>	<b>N-BNC-2L</b>
--------------	-----------------



### Parts

1. N male connector (nickel plated copper)
2. High temperature Shrinking tube
3. RG223 cable (outer diameter 5.3 mm)
4. Tag
5. BNC Male connector (nickel plated copper)

### Specifications

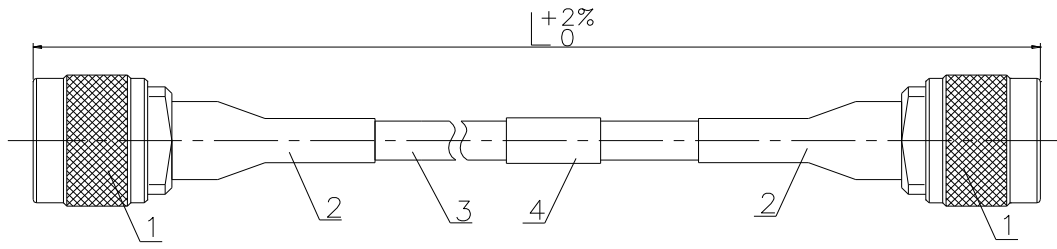
Frequency	DC ~ 2 GHz
Impedance	50 Ω
VSWR	≤1.20@DC~2GHz
Insertion loss	≤1.0dB@2GHz
Dielectric withstand voltage	≥1000V
Insulation resistance	≥5000MΩ
Minimum bending radius	25mm
Temperature range(Operation)	-55℃~+85℃
Length	700 mm

### Package and storage

The connector is encapsulated with a special dust cap. When the components are bent and packaged, the bending radius should not be less than 5 times the minimum bending radius of the cable.

The storage conditions of the product are: -10℃~+40℃, the relative humidity is not more than 80%, and the surrounding air is free from acidic, alkaline and other corrosive gases.

<b>Model</b>	<b>N-N-6L</b>
--------------	---------------



**Parts**

1. N male connector (nickel plated copper)
2. High temperature Shrinking tube
3. RG223 cable (outer diameter 5.3 mm)
4. Tag

**Specifications**

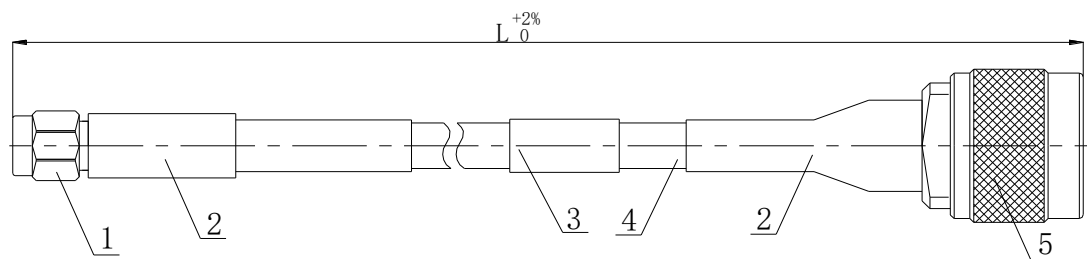
Frequency	DC ~ 6 GHz
Impedance	50 Ω
VSWR	≤1.25:1@6GHz
Insertion loss	≤1.8dB@6GHz
Dielectric withstand voltage	≥1000V
Insulation resistance	≥5000MΩ
Minimum bending radius	25mm
Temperature range(Operation)	-55℃ ~ +85℃
Length	700 mm

**Package and storage**

The connector is encapsulated with a special dust cap. When the components are bent and packaged, the bending radius should not be less than 5 times the minimum bending radius of the cable.

The storage conditions of the product are: -10℃ ~ +40℃, the relative humidity is not more than 80%, and the surrounding air is free from acidic, alkaline and other corrosive gases.

Model	N-SMA-6L
-------	----------



### Parts

1. SMA male connector (nickel plated gold)
2. High temperature Shrinking tube
3. RG223 cable (outer diameter 5.3 mm)
4. Tag
5. N male connector (nickel plated copper)

### Specifications

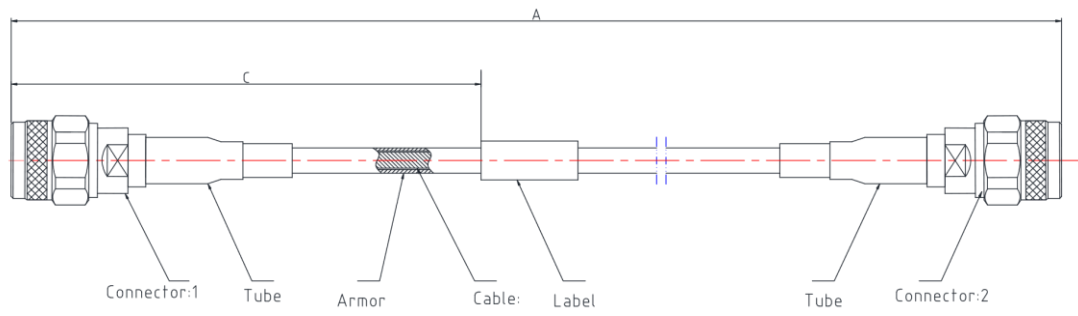
Frequency	DC ~ 6 GHz
Impedance	50 Ω
VSWR	≤1.25:1@6GHz
Insertion loss	≤1.8dB@6GHz
Dielectric withstand voltage	≥1000V
Insulation resistance	≥5000MΩ
Minimum bending radius	25mm
Temperature range(Operation)	-55℃ ~ +85℃
Length	700 mm

### Package and storage

The connector is encapsulated with a special dust cap. When the components are bent and packaged, the bending radius should not be less than 5 times the minimum bending radius of the cable.

The storage conditions of the product are: -10℃ ~ +40℃, the relative humidity is not more than 80%, and the surrounding air is free from acidic, alkaline and other corrosive gases.

<b>Model</b>	<b>N-N-18L</b>
--------------	----------------



All dimensions are in mm; tolerances according to ISO 2768 c

<b>Parts</b>	
--------------	--

Connector 1	N male
Connector 2	N male
Cable	RTK Flex 402-YB Low IL(or equivalent type)
Label	Label Stick
Tube	High temperature Shrinking tube
Armor	Stainless steel interlocked hose with PTFE wire(black+red) jacket

Nominal values @20°C ambient temperature

<b>Specifications</b>	
-----------------------	--

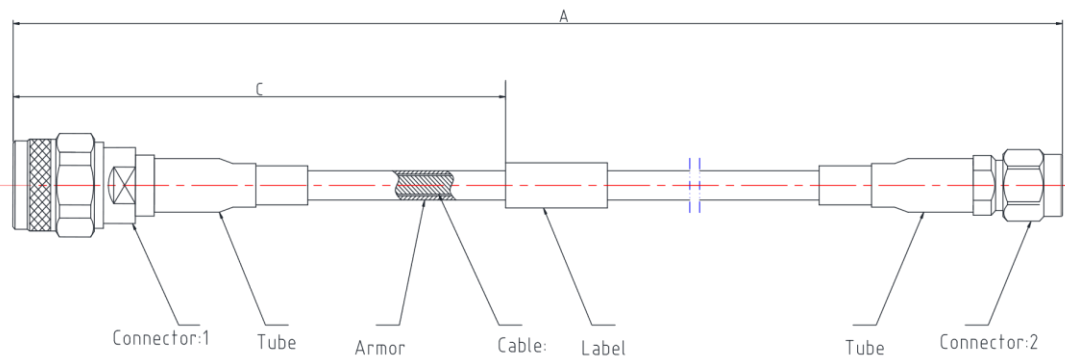
Frequency	DC ~ 18 GHz
Impedance	50 Ω
VSWR	≤1.35 to 18 GHz
Insertion loss	≤2.3dB@DC~18GHz
Phase stability vs. Flexure	±10°@18 GHz (Wrapped around a 50mm diameter mandrel)
Amplitude stability vs. Flexure	±0.1 dB@18 GHz (Wrapped around a 50mm diameter mandrel)
Minimum bending radius	50.8 mm
Cable Diameter(with armor)	6.6 mm
Temperature range(Operation)	-40°C ~ +125°C
RoHS	compliant
Length A	1000±10 mm
Length C	100±10 mm

<b>Package and storage</b>
----------------------------

The connector is encapsulated with a special dust cap. When the components are bent and packaged, the bending radius should not be less than 5 times the minimum bending radius of the cable.

The storage conditions of the product are: -10°C ~ +40°C, the relative humidity is not more than 80%, and the surrounding air is free from acidic, alkaline and other corrosive gases.

<b>Model</b>	<b>N-SMA-18L</b>
--------------	------------------



All dimensions are in mm; tolerances according to ISO 2768 c

### Parts

Connector 1	N male
Connector 2	SMA male
Cable	RTK Flex 402-YB Low IL(or equivalent type)
Label	Label Stick
Tube	High temperature Shrinking tube
Armor	Stainless steel interlocked hose with PTFE wire(black+red) jacket

Nominal values @20°C ambient temperature

### Specifications

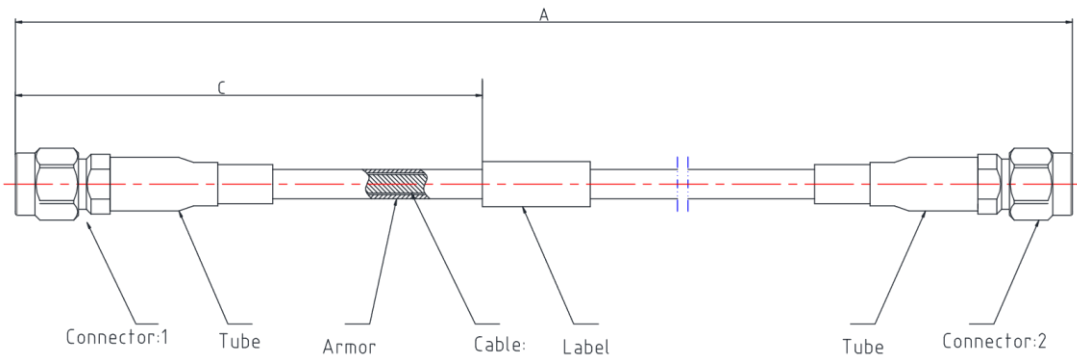
Frequency	DC ~ 18 GHz
Impedance	50 Ω
VSWR	≤1.35 to 18 GHz
Insertion loss	≤2.3dB@DC~18GHz
Phase stability vs. Flexure	±10°@18 GHz (Wrapped around a 50mm diameter mandrel)
Amplitude stability vs. Flexure	±0.1 dB@18 GHz (Wrapped around a 50mm diameter mandrel)
Minimum bending radius	50.8 mm
Cable Diameter(with armor)	6.6 mm
Temperature range(Operation)	-40°C ~ +125°C
RoHS	compliant
Length A	1000±10 mm
Length C	100±10 mm

### Package and storage

The connector is encapsulated with a special dust cap. When the components are bent and packaged, the bending radius should not be less than 5 times the minimum bending radius of the cable.

The storage conditions of the product are: -10°C ~ +40°C, the relative humidity is not more than 80%, and the surrounding air is free from acidic, alkaline and other corrosive gases.

<b>Model</b>	<b>SMA-SMA-18L</b>
--------------	--------------------



All dimensions are in mm; tolerances according to ISO 2768 c

### Parts

Connector 1	SMA male
Connector 2	SMA male
Cable	RTK Flex 402-YB Low IL(or equivalent type)
Label	Label Stick
Tube	High temperature Shrinking tube
Armor	Stainless steel interlocked hose with PTFE wire(black+red) jacket

Nominal values @20°C ambient temperature

### Specifications

Frequency	DC ~ 18 GHz
Impedance	50 Ω
VSWR	≤1.25 to 18 GHz
Insertion loss	≤2.3dB@DC~18GHz
Phase stability vs. Flexure	±10°@18 GHz (Wrapped around a 50mm diameter mandrel)
Amplitude stability vs. Flexure	±0.1 dB@18 GHz (Wrapped around a 50mm diameter mandrel)
Minimum bending radius	50.8 mm
Cable Diameter(with armor)	7.7 mm
Temperature range(Operation)	-40°C ~ +125°C
RoHS	compliant
Length A	1000±10 mm
Length C	100±10 mm

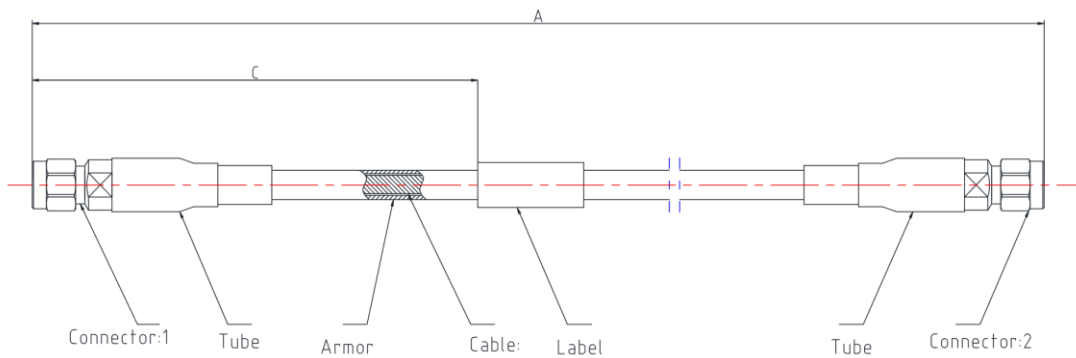
### Package and storage

The connector is encapsulated with a special dust cap. When the components are bent and packaged, the bending radius should not be less than 5 times the minimum bending radius of the cable.

The storage conditions of the product are: -10°C ~ +40°C, the relative humidity is not more than 80%, and the surrounding air is free from acidic, alkaline and other corrosive gases.



Model	SMA-SMA-26L
-------	-------------



All dimensions are in mm; tolerances according to ISO 2768 c

### Parts

Connector 1	SMA male
Connector 2	SMA male
Cable	RTK Flex 402-YB Low IL(or equivalent type)
Label	Label Stick
Tube	Shrinking tube
Armor	Stainless steel interlocked hose with PTFE wire(black+red) jacket

### Specifications

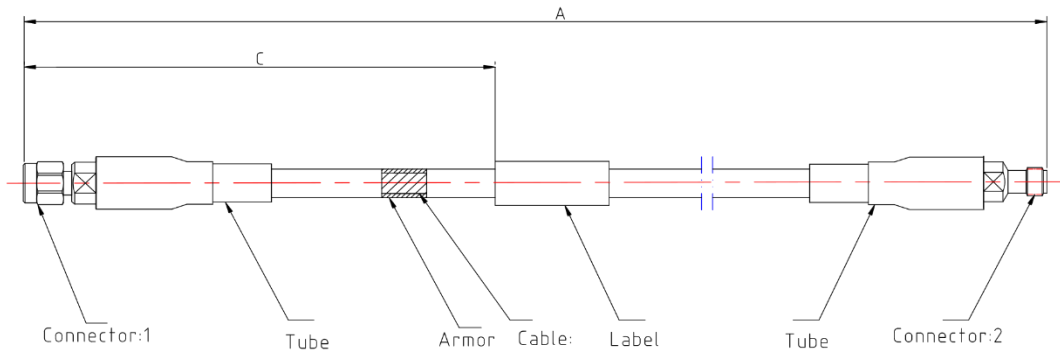
Frequency	DC ~ 26.5 GHz
Impedance	50 Ω
VSWR	≤1.3 to 26.5 GHz
Insertion loss	≤2.0 dB@DC~18 GHz
Phase stability vs. Flexure	±8°@26.5 GHz (Wrapped around a 50mm diameter mandrel)
Amplitude stability vs. Flexure	±0.2 dB@26.5 GHz (Wrapped around a 50mm diameter mandrel)
Minimum bending radius	50.8 mm
Cable Diameter(with armor)	7.7 mm
Temperature range(Operation)	-40°C ~ +100°C
RoHS	compliant
Length A	1000±10 mm
Length C	200±10 mm

### Package and storage

The connector is encapsulated with a special dust cap. When the components are bent and packaged, the bending radius should not be less than 5 times the minimum bending radius of the cable.

The storage conditions of the product are: -10°C ~ +40°C, the relative humidity is not more than 80%, and the surrounding air is free from acidic, alkaline and other corrosive gases.

<b>Model</b>	<b>SMAF-SMA-26L</b>
--------------	---------------------



All dimensions are in mm; tolerances according to ISO 2768 c

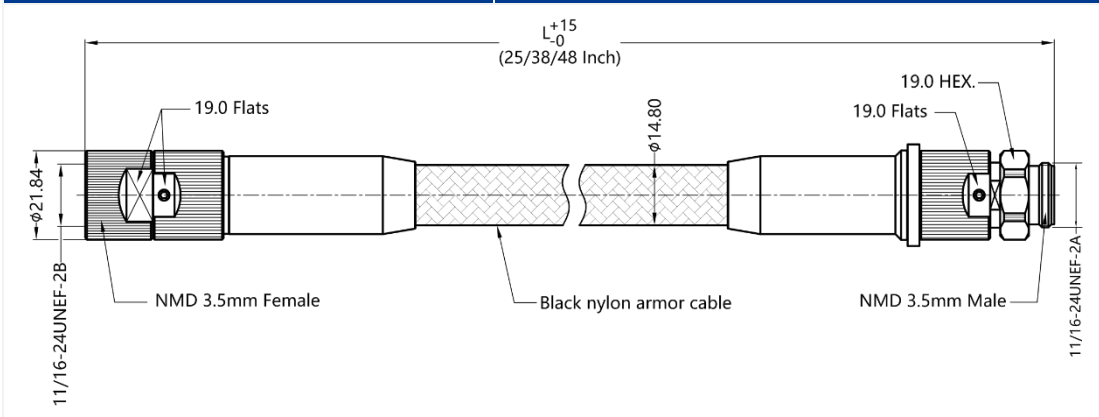
### Parts

Connector 1	SMA male
Connector 2	SMA female
Cable	RTK 161-YB (or equivalent type)
Cable material	Inner Conductor Silver Plated Copper (SPC) Dielectric low density PTFE Outer Conductor Silver plated copper strip Shielding layer Silver plated copper wire Jacket FEP jacket, Light aqua
Label	Label Stick
Tube	Shrinking tube
Armor	Stainless steel interlocked hose with PTFE wire(black+red) jacket

### Specifications

Frequency	DC ~ 26.5 GHz
Impedance	50 Ω
VSWR	≤1.3 to 26.5 GHz
Insertion loss	≤1.6dB@DC~18GHz, 2.0dB@18~26.5GHz
Phase stability vs. Flexure	≤±8° @26.5 GHz (Wrapped around a 50mm diameter mandrel)
Amplitude stability vs. Flexure	≤±0.2 dB@26.5 GHz (Wrapped around a 50mm diameter mandrel)
Minimum bending radius	38.5 mm
Cable Diameter(with armor)	7.7 mm
Temperature range(Operation)	-40℃ ~ +125℃
RoHS	compliant
Length A	1000±10 mm
Length C	200±10 mm

<b>Model</b>	<b>V26-N35MN35F-25IN</b>
--------------	--------------------------



Parts	
-------	--

Coupling nut	Stainless steel, passivated
Body	Stainless steel, passivated
Contact pin	Beryllium copper, gold plated
Insulator	PEI & PEEK, natural
Cable	Stainless steel double buckle black nylon armor

Specifications	
----------------	--

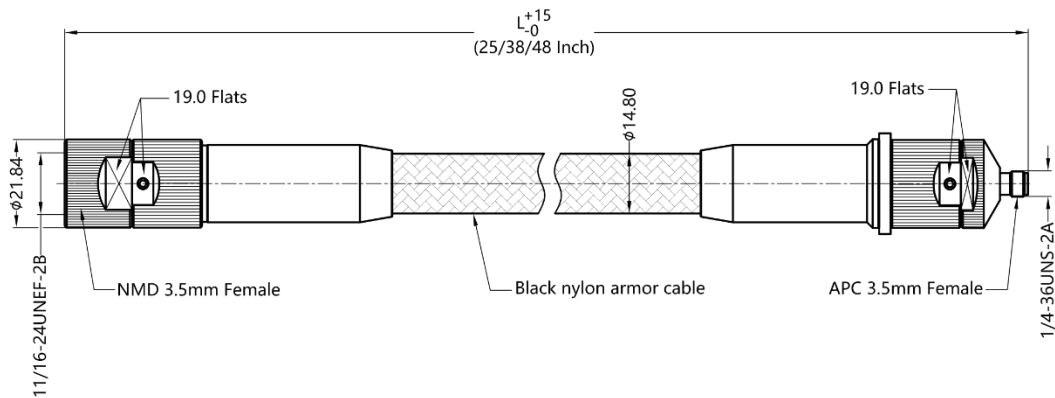
Frequency	DC ~ 26.5 GHz
Impedance	50 Ω
VSWR	≤1.25
Insertion loss	≤2.16 dB
Mechanical phase stability	≤±2.7°
Mechanical amplitude stability	≤±0.08 dB
Min. bending radius static	74 mm
Min. bending radius dynamic	148 mm
Recommended coupling torque	9-14 in-lbs
Coupling nut retention force	100 lbs
Durability	50,000 Cycles(FLEX)
Voltage rating	325 Vrms
Dielectric withstanding voltage	750V(DC)
Insulation resistance	5000 MΩ
Temperature range(Operation)	-40°C ~ +85°C
RoHS & REACH	compliant
Length	635 mm

Package and storage	
---------------------	--

The connector is encapsulated with a special dust cap. When the components are bent and packaged, the bending radius should not be less than 5 times the minimum bending radius of the cable.

The storage conditions of the product are: -10°C ~ +40°C, the relative humidity is not more than 80%, and the surrounding air is free from acidic, alkaline and other corrosive gases.

<b>Model</b>	<b>V26-N35FA35F-25IN</b>
--------------	--------------------------



### Parts

Coupling nut	Stainless steel, passivated
Body	Stainless steel, passivated
Contact pin	Beryllium copper, gold plated
Insulator	PEI & PEEK, natural
Cable	Stainless steel double buckle black nylon armor

### Specifications

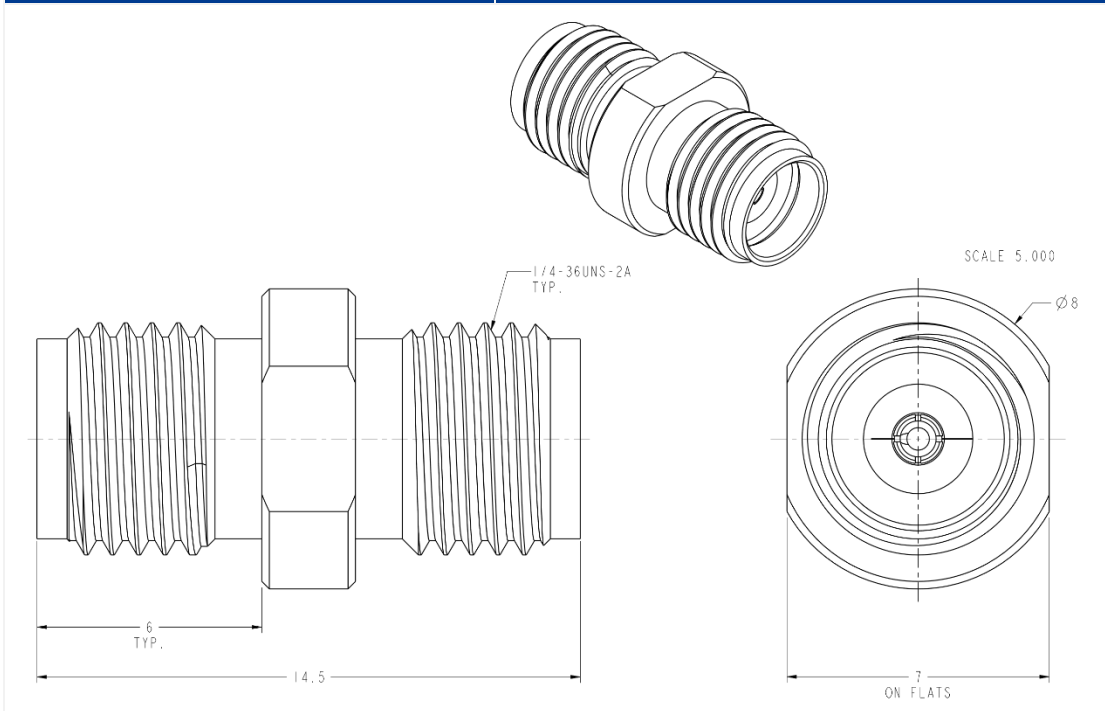
Frequency	DC ~ 26.5 GHz
Impedance	50 Ω
VSWR	≤1.25
Insertion loss	≤2.16 dB
Mechanical phase stability	≤±2.7°
Mechanical amplitude stability	≤±0.08 dB
Min. bending radius static	74 mm
Min. bending radius dynamic	148 mm
Recommended coupling torque	9-14 in-lbs
Coupling nut retention force	100 lbs
Durability	50,000 Cycles(FLEX)
Voltage rating	325 Vrms
Dielectric withstanding voltage	750V(DC)
Insulation resistance	5000 MΩ
Temperature range(Operation)	-40℃ ~ +85℃
RoHS & REACH	compliant
Length	635 mm

### Package and storage

The connector is encapsulated with a special dust cap. When the components are bent and packaged, the bending radius should not be less than 5 times the minimum bending radius of the cable.

The storage conditions of the product are: -10℃ ~ +40℃, the relative humidity is not more than 80%, and the surrounding air is free from acidic, alkaline and other corrosive gases.

<b>Model</b>	<b>2.92F-2.92F-40A</b>
--------------	------------------------



**Parts**

Body	Stainless sheet, passivated
Contact	Beryllium copper, gold plating
Insulator	PEI, NATURAL

**Specifications**

Frequency	DC ~ 40 GHz
Impedance	50 Ω
VSWR	1.25 Max.
Insertion loss	0.3 dB Max.
Dielectric withstand voltage	1000 VRMS Min.
Temperature range(Operation)	-40℃ ~ +85℃
Durability	2000 cycles

**Package and storage**

The connector is encapsulated with a special dust cap. The storage conditions of the product are: -10℃ ~ +40℃, the relative humidity is not more than 80%, and the surrounding air is free from acidic, alkaline and other corrosive gases.

<b>Model</b>	<b>UKitSSA3X</b>
--------------	------------------



<b>Parts</b>	
--------------	--

N(M)-SMA(M) Cable	DC ~ 6 GHz, VSWR<1.25, 700 mm
N(M)-N(M) Cable	DC ~ 6 GHz, VSWR<1.25, 700 mm
2* N(M)-BNC(F) Adaptor	DC ~ 2 GHz, VSWR<1.2
2* N(M)-SMA(F) Adaptor	DC ~ 6 GHz, VSWR<1.2
10 dB attenuator N-N	DC ~ 6 GHz, VSWR<1.2, Power:1 W, 50 mm×16 mm

<b>Package and storage</b>
----------------------------

The connector is encapsulated with a special dust cap. The storage conditions of the product are: -10°C ~ +40°C, the relative humidity is not more than 80%, and the surrounding air is free from acidic, alkaline and other corrosive gases.

## 关于鼎阳


鼎阳科技 (SIGLENT) 是通用电子测试测量仪器领域的行业领军企业。同时,也是通用电子测试测量仪器行业第一家 A 股上市公司。

2002 年,鼎阳科技创始人开始专注于示波器研发,2005 年成功研制出第一款数字示波器。历经多年发展,鼎阳产品已扩展到数字示波器、手持示波表、函数/任意波形发生器、频谱分析仪、矢量网络分析仪、射频/微波信号源、台式万用表、直流电源、电子负载等基础测试测量仪器产品,是全球极少数能够同时研发、生产、销售数字示波器、信号发生器、频谱分析仪和矢量网络分析仪四大通用电子测试测量仪器主力产品的厂家之一,是这四大主力产品领域唯一一个国家级重点“小巨人”企业。同时也是国内主要竞争对手中唯一一个同时拥有这四大主力产品并且四大主力产品全线进入高端领域的厂家。公司总部位于深圳,在美国克利夫兰和德国奥格斯堡成立了子公司,在成都成立了分公司,产品远销全球 80 多个国家和地区, SIGLENT 已经成为全球知名的测试测量仪器品牌。

## 联系我们

深圳市鼎阳科技股份有限公司  
全国免费服务热线: 400-878-0807  
网址: [www.siglent.com](http://www.siglent.com)

## 声明

 SIGLENT 鼎阳 是深圳市鼎阳科技股份有限公司的注册商标,事先未经过允许,不得以任何形式或通过任何方式复制本手册中的任何内容。  
本资料中的信息代替原先的此前所有版本。技术数据如有变更,恕不另行通告。

## 技术许可

对于本文档中描述的硬件和软件,仅在得到许可的情况下才会提供,并且只能根据许可进行使用或复制。

